



Hydraulic system for municipal services

Dependability and convenience for your deployments

| meiller.com

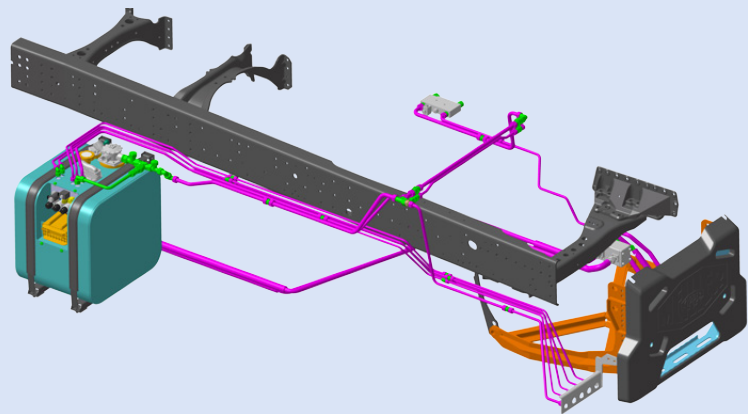
Hydraulic system for municipal services

Dependability and convenience for your deployments

The MEILLER hydraulic system for municipal services is distinguished by user-friendliness, durability and compact, high-grade construction. It is designed for reliable operation and efficient ease of deployment in municipal applications whether in summer or in winter. Consequently, the cost effectiveness of your vehicle is at the forefront all year round.

Economical and flexible

The MEILLER dual-circuit hydraulic system for municipal services



Circuit I:

Lifting and lowering as well as swivelling, e.g. a snowplough

Circuit II:

Continuous consumers such as a salt spreader, for example

An optional switch combines the two modes, e.g. to operate a sweeper function.



Adapt the operating mode according to the attachment used.

User-friendly operation

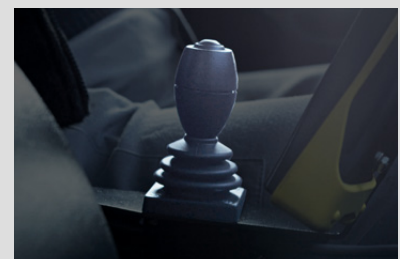
Electronic operating device

Before starting up your attachments, you can make all the necessary settings conveniently and directly using the new, ergonomically designed operating device. The intuitive menu guidance makes it quick and easy to find all settings and functions, such as the reverse gear automatic function that triggers the lifting of the plough for an adjustable time period when reverse gear is engaged.

The new joystick for precise operation of all front-mounted attachments is ergo-

nomically optimised and located on the arm rest for easy access. In vehicles with manual transmission, the joystick can also be mounted on the selector lever (option).

Everything under control: The new joystick provides more comfort at the workplace.



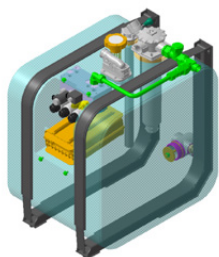
Dependable hydraulic system

Compact hydraulic module

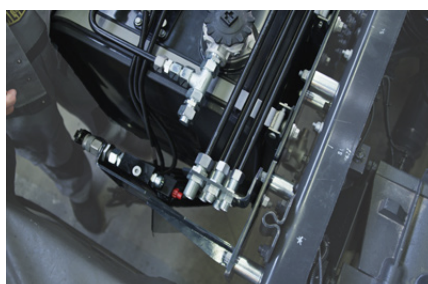
The key component of the hydraulic system is the practical and compact hydraulic module. It provides protection for delicate components, reliable operation and convenient handling.

Advantages:

- The valves and electronic power section are protected by being integrated in the tank.
- All system parts are easily accessible for maintenance.
- The oil level and temperature are constantly monitored electronically.



Everything from a single tank: Several consumers (tipper, crane & hydraulic system for municipal services) can be supplied from one compact MEILLER tank.



Prolonged protection against corrosion: synthetic-coated steel lines.

Hydraulic pipework

All the hydraulic pipework from the control valve to the hydraulic couplings is made of steel. Your benefits:

- No hoses to change.
- Long-term reliability.
- All lines and screwed fittings are protected against corrosion by a Zystaplex synthetic coating.

Options

- 135-litre oil tank for crane tippers
- Oil tank in stainless steel, 60/120 litres
- Multicoupling (4-fold), fixed part (from Faster) instead of 4 quick release couplings for plough connections
- 4x screw couplings instead of quick release couplings for plough connections
- Filled with readily biodegradable hydraulic oil
- Plough extension: 2 additional hydraulic couplings and change-over valve for the folding wing
- Load sensing system
- Combination switch
- Variable positioning of the operating device in the cabin
- Oil level and temperature warning individually adjustable by the user
- Further options on request

As a system supplier, MEILLER supplies a complete range of municipal vehicle equipment!

- Expertise in industrial manufacture
- End-to-end system solutions = least sources of error = highest quality
- Short turnaround time for complete municipal vehicles
- Certified in accordance with VDA 6.1:2010, DIN EN ISO 9001:2008, DIN EN ISO 3834-2, DIN 14001:2015 Environment and EMAS 12-2016
- Minimum transport costs due to assembly of the tipper and hydraulic system for municipal services at MEILLER

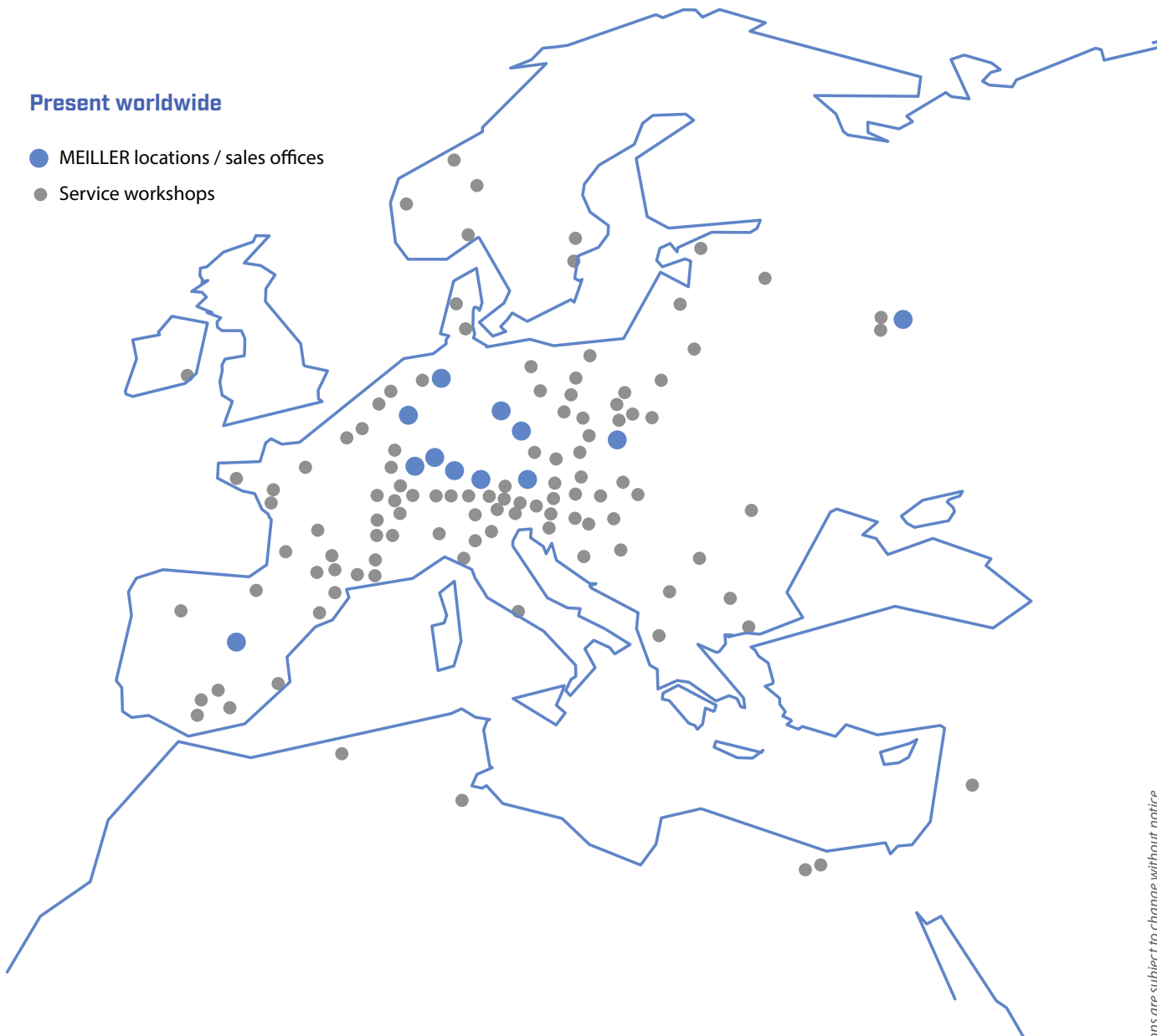


MEILLER close to you

Full service from a single source

Present worldwide

- MEILLER locations / sales offices
- Service workshops



There's a MEILLER location near you. Find the service workshops closest to you by searching online at

meiller.com/service

1668_En-761-0417
Technical specifications are subject to change without notice.
Illustrations may show special equipment.